

hp photosmart 7550

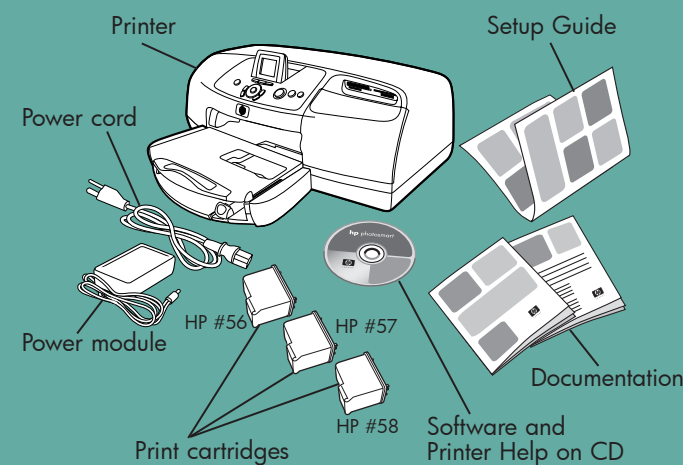
# setup guide



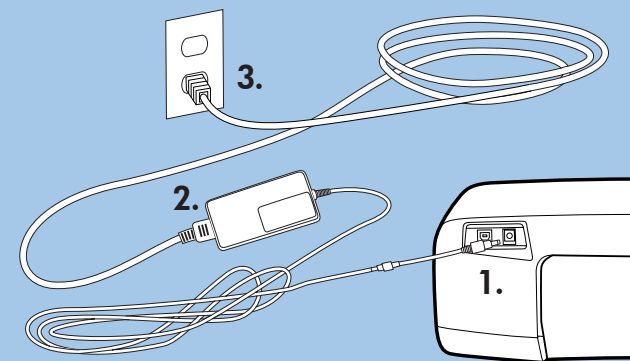
**Windows PC:**  
Be sure to insert the HP  
Photosmart CD before you  
connect the printer to your  
computer with the USB cable.



## 1 unpack your hp printer

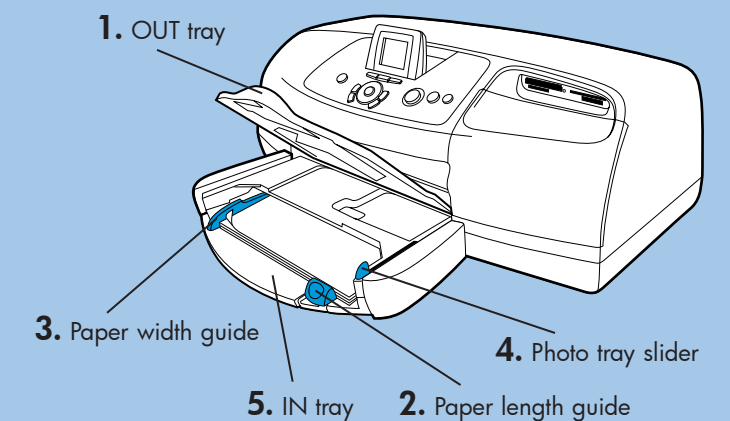


## 2 plug in the power cord



## 3 load plain paper in the IN tray

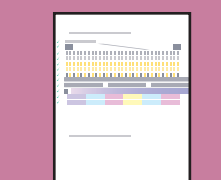
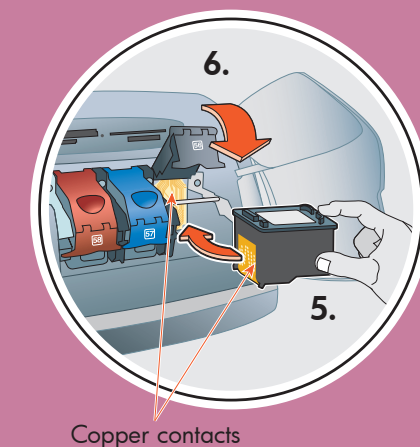
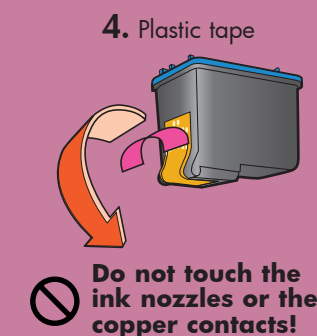
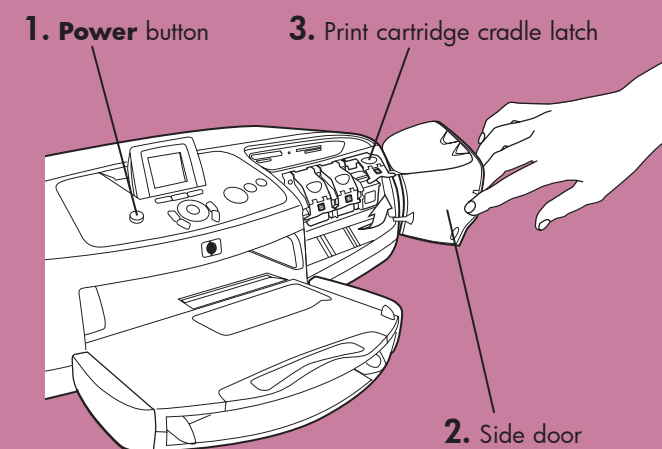
1. Lift the OUT tray.
2. Pull out the paper length guide on the IN tray.
3. Slide the paper width guide as far to the left as it will go.
4. Move the photo tray slider toward you until it stops. This disengages the photo tray.
5. Place a stack of plain paper into the IN tray.
6. Adjust the paper width guide and paper length guide to fit close to the edges of the paper without bending the paper.
7. Lower the OUT tray.



## 4 install the print cartridges

1. Press the **Power** button to turn the printer on.
2. Insert your forefinger behind the notch on the left side of the side door and pull out to open the door.
3. Pop open each print cartridge cradle latch by pulling out the bottom of the latch.
4. Remove the plastic tape from each print cartridge.
5. Insert each print cartridge so the copper contacts go in first.  
Insert the **HP #56 black** print cartridge in the right stall.

6. Insert the **HP #57 tri-color** print cartridge in the middle stall.  
Insert the **HP #58 photo** print cartridge in the left stall.
6. Close each print cartridge cradle latch by pulling out the bottom of the latch, pressing down, then releasing the latch.
7. Close the side door and press the **OK** button.  
A calibration page prints automatically. This verifies that the print cartridges are installed correctly.



7. Calibration page



Q1605-90198

## 5 install the hp photosmart printer software



**Important:** You must insert the HP Photosmart CD to install the printer software.

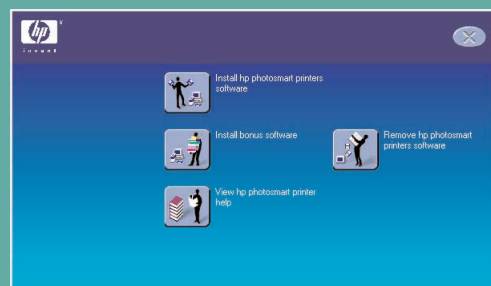
**Note:** For more detailed instructions or troubleshooting information, see the *HP Photosmart Software Setup & Product Support* booklet.

### Windows PC

1. Be sure you have completed steps 1 through 4. If your computer is off, turn it on.

**Important:** Do not connect the printer to your computer until prompted. Disable virus-checking software before you install the printer software.

2. Insert the HP Photosmart CD into your computer's CD-ROM drive. The following dialog box appears.



3. Click **Install hp photosmart printers software**. Follow the onscreen instructions to install the printer software.

**Note:** If the dialog box does not appear, use Windows Explorer or My Computer to locate your CD-ROM drive, then double-click **setup.exe**. The HP Photosmart printer dialog box appears. Click **Install hp photosmart printers software**.

**Important:** Do not connect the printer to your computer until prompted.

4. Continue with step 6 to connect the printer to your computer.

### Macintosh



1. Be sure you have completed steps 1 through 4. If your computer is off, turn it on.

**Important:** Disable virus-checking software before you install the printer software.

2. Continue with step 6 to connect the printer to your computer.

## 6 connect the printer to your computer

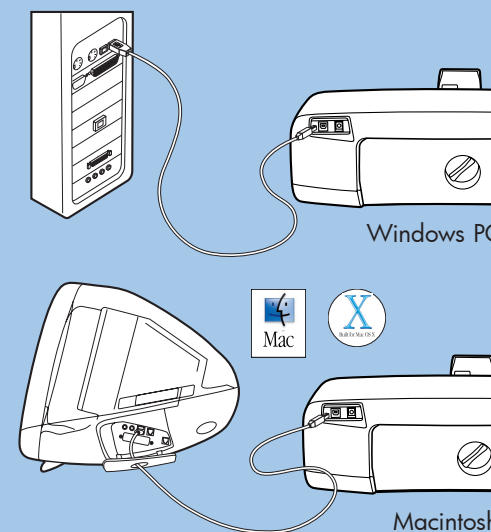


1. Purchase a USB-compliant interface cable separately. The cable must be less than 3 meters long.
2. Plug one end of the USB cable into your computer's USB port.
3. Plug the other end of the USB cable into the USB port on the **back** of your printer.

**Note:** Do **not** plug the USB cable into the camera port on the front of your printer. That port is for your HP direct-printing digital camera.

**Important:** Be sure the printer is connected directly to your computer. Installing the printer software when the printer is connected to the computer through a USB hub can cause errors and prevent a successful installation.

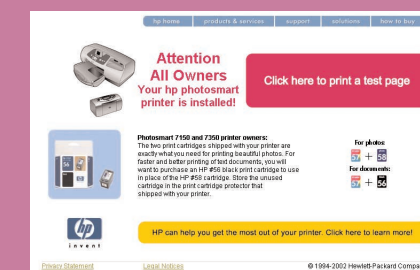
4. Continue with step 7 to finish the software installation.



## 7 finish installing the hp photosmart printer software

### Windows PC

1. After connecting the printer to your computer, continue following the onscreen instructions to finish installing the HP Photosmart Printer Software and the HP Photo & Imaging Software.
2. At the end of the installation, the computer restarts. A welcome window appears. Click where it says **Click here to print a test page**.



### Macintosh

1. After connecting the printer to your computer, insert the HP Photosmart CD into your computer's CD-ROM drive. Double-click the **HP Photosmart CD** icon.
2. Double-click the **HP Photosmart install** icon. Follow the onscreen instructions to install the printer software.



## fun features

The HP Photosmart Printer Help tells you how to:

- Print photos directly from your digital camera's memory card without using your computer
- Save photos from a memory card to your computer
- Print high-quality photos in a variety of sizes
- Get creative with cropping and color effects
- Print photo album pages and photo index pages

## getting assistance



- *HP Photosmart 7550 Basics Guide*
- *HP Photosmart Software Setup & Product Support* booklet
- HP Photosmart Printer Help
- [www.hp.com/support](http://www.hp.com/support)
- 208.323.2551 (U.S.)

Printed in USA 08/02 v1 • Printed on recycled paper  
© 2002 Hewlett-Packard Company  
Windows is a registered trademark of Microsoft Corporation  
Macintosh is a registered trademark of Apple Computer, Inc.